

VT100 BODY-WORN CAMERA

The VT100 delivers a customisable and fully integrated enterprise mobile video solution.



GENERAL INFORMATION

| | |
|---------------------|---|
| Typical Usage | Enterprise managed incident recorder for personal and site security |
| Management Software | Requires VideoManager Licence or Cloud Service |
| Warranty | 1 year return-to-manufacturer warranty. For support relating to VideoManager, Software Assurance is required. |

SIZE AND WEIGHT

| | |
|------------|-----------------|
| Dimensions | 80 x 51 x 22 mm |
| Weight | 72 g |

BATTERY

| | |
|-------------------------------|---|
| Battery | Integral, not user serviceable |
| Battery Type | Lithium-ion |
| Battery Recharging Times | Typically recharges in less than 5 hours |
| Battery in Recording Mode | Up to 3 hours of recording, or up to 1.5 hours of live streaming & recording |
| Battery capacity in standby | 6 months |
| Battery Overcharge Protection | VT100 has overcharge protection so cannot be overcharged and can be left in docking station |

AUDIO

| | |
|---------------|---|
| Audio Capture | Yes, with option to disable audio capture alongside footage |
|---------------|---|

CAMERA

| | |
|--------------------|--|
| Buttons | Two buttons on back, either of which can be used to start and stop recording |
| Lens Capture Angle | 130 degree field of view |

CAMERA FEATURES

| | |
|------------------------------------|--|
| Memory Capacity | 16 GB |
| Recording Status User Notification | Haptic and visual feedback |
| Storage Media Access | Sealed unit with no user access to storage media |
| Front Display Message | Display ID card with message/logo |

VIDEO AND RECORDING

| | |
|----------------------------|----------------------|
| Video Recording Format | H.264 |
| Resolution | 1280 x 720 HD |
| Frame Rate | 30 frames per second |
| Recording Storage Capacity | 16 GB |

APPROVALS AND ENVIRONMENTAL

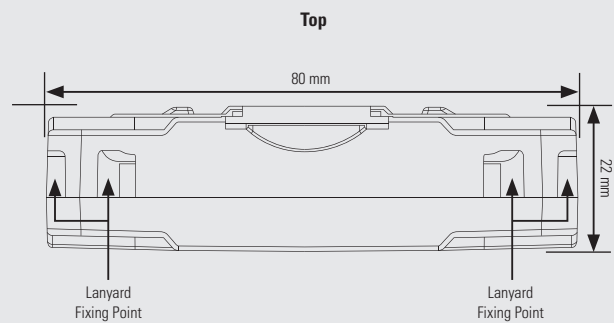
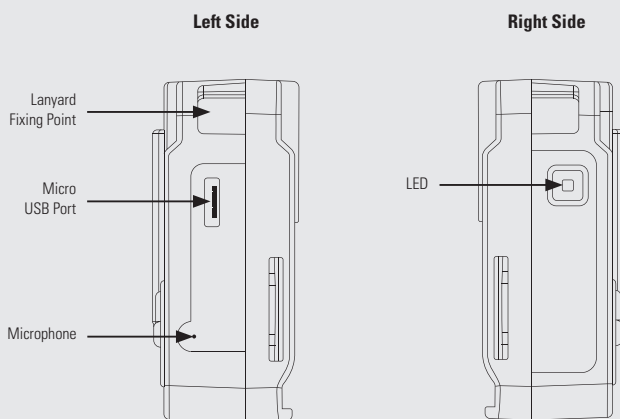
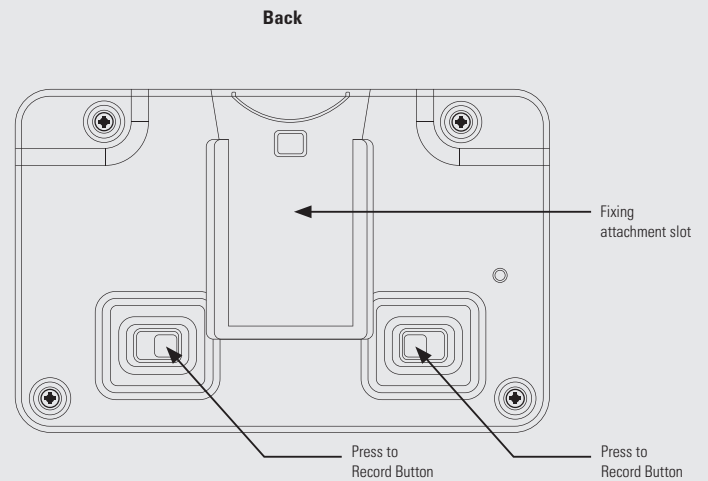
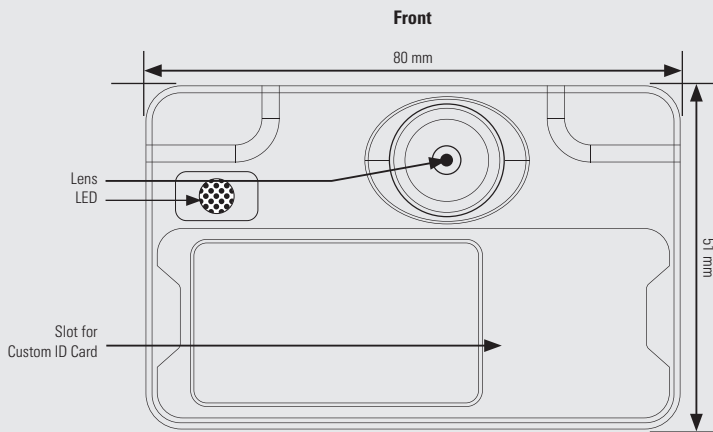
| | |
|--|---|
| Ingress Protection | IP54 |
| Environmental Temperature Operational Rating | Operating: -20 to +40 °C Charging: 0 to +25 °C |

WI-FI® FEATURES

| | |
|----------------------|---|
| Wi-Fi Specifications | 802.11 b/g/n (2.4GHz Wi-Fi) |
| Wi-Fi Security | WPA2-PSK |
| Wi-Fi Streaming | <ul style="list-style-type: none"> • 640x360 15fps • Compatible with ONStream |

SECURITY

| | |
|--|--|
| Network Data Security on USB Storage Media | VT100 does not appear as a USB storage device, and cannot receive files while connected to a Wi-Fi network. |
| Audit Trail | Usage, operations and recording details all audit-logged and indexed |
| Recordings View, Copy and Deletion Ability | The VT100 wearer cannot access, view or delete any recordings directly from the device, or camera without appropriate authorisation. |
| Storage Media Access | Sealed unit with no user access to storage media |
| Encryption | AES-256 for data at rest; TLS1.2 for data transmission |



VT-100-N & ACCESSORIES

VT100 (VT-100-N)



FEATURES INCLUDE:

Wi-Fi streaming, small and discreet, 16GB storage, 6 months standby (Instant Recording Mode), up to 3 hours of recording, or up to 1.5 hours of live streaming & recording, 1 year return-to-manufacturer warranty.

PLEASE NOTE: Requires VideoManager Enterprise Licence or VideoManager Cloud Service. Please speak to your account manager for further details.

PART NUMBER: VT-100-N



VT-100-DOCK14/AUS etc.



DC-200/AUS etc.



RF-220



RF-STICKER-10
RF-CARD-10



VT-100-ID-CUS-ART



VT-100-ID-CUS-250 etc.

CHARGERS, DOCKCONTROLLERS, RFIDS & CUSTOM DISPLAY FRONT-PANEL ID CARD

VT-100-DOCK14/AUS, VT-100-DOCK14/UK,
VT-100-DOCK14/EU, VT-100-DOCK14/US,
VT-100-DOCK14/ROW

VT100 14-Port Dock

RF-CARD-10

RFID Card (x10)

DC-200/AUS, DC-200/UK, DC-200/EU,
DC-200/US, DC-200/ROW

DockController DC-200

VT-100-ID-CUS-ART

Custom VT100 Front-panel ID
Card (Design)

RF-220

RFID RF-220

VT-100-ID-CUS-250, VT-100-ID-CUS-1000,
VT-400-ID-CUS-5000

Custom VT100 Front-panel ID Card
(Print). Can be ordered in the following
amounts: 250, 1000, 5000

RF-STICKER-10

RFID Sticker-Style Tag (x10)



VT-100-FIX-ALIG



VT-100-FIX-EP



VT-100-FIX-SPORT



VT-100-FIX-KF-ALT



AC-USB-MICROB-100



AC-USB-DOCK-200
AC-USB-DOCK-050



AC-LANYARD-05

ATTACHMENTS, LANYARDS & REPLACEMENT CABLES

VT-100-FIX-ALIG

VT100 Rotatable Long Alligator Clip

AC-USB-MICROB-100

Replacement Micro USB Cable

VT-100-FIX-EP

VT100 Epaulette (Shoulder) Clip

AC-USB-DOCK-200,
AC-USB-DOCK-050

Replacement USB Type A to USB Type B Cable (0.5m,
2.0m)

VT-100-FIX-SPORT

VT100 Sports Camera Pillar

AC-LANYARD-05

Lanyard with 5 Breakpoints and 2 Loops

VT-100-FIX-KF-ALT

VT100 Klick Fast Stud



KLICK FAST FIXINGS*

| | | | |
|--------------|--|------------------|---|
| KF-SCREW | Klick Fast Uniform Screw-on Dock | KF-DOCKBUTTONM | Klick Fast Button Dock (Male) |
| KF-LOOP | Klick Fast Radio Loop Dock | KF-DOCKBUTTONF | Klick Fast Button Dock (Female) |
| KF-DOCKCLAMP | Klick Fast Dock Clamp (Pocket Klick Fast Dock) | KF-DOCK05BVELCRO | Klick Fast Belt Loop |
| KF-DOCKEP | Klick Fast Dock Epaulette | KF-DOCKRUCKSACK | Klick Fast Rucksack Dock |
| KF-MAGMOUNT2 | Klick Fast Magnetic Mounting Set (w/ Magnets) | KF-DOCKCROCLIP | Klick Fast Crocodile Clip |
| KF-MAGMOUNT | Klick Fast Magnetic Mounting Set (w/o Magnets) | KF-DOCKCROCLAT | Klick Fast Crocodile Clip (w/ Anti-Tilt Attachment) |
| KF-MOLLEVEST | Klick Fast Dock for MOLLE Vests | | |



KLICK FAST HARNESES**

| | |
|----------|----------------------------------|
| KF-HARN3 | Klick Fast 3-Point Chest Harness |
| KF-HARN4 | Klick Fast 4-Point Chest Harness |
| KF-HARN5 | Klick Fast Shoulder Harness |

For more information, please visit: www.motorolasolutions.com/BWC



* Klick Fast Fixings are compatible with the VT-100-N when used in conjunction with the VT-100-FIX-KF-ALT attachment.

** Klick Fast Harnesses are compatible with the VT-100-N when used in conjunction with the VT-100-FIX-KF-ALT attachment.

Motorola Solutions Australia Pty Ltd

Availability is subject to individual country law and regulations. All specifications shown are typical unless otherwise stated and are subject to change without notice. MOTOROLA, MOTO, MOTOROLA SOLUTIONS and the Stylized M Logo are trademarks or registered trademarks of Motorola Trademark Holdings, LLC and are used under license. All other trademarks are the property of their respective owners.

© 2022 Motorola Solutions, Inc. All rights reserved. 02-2022 [LD15]